



**FilterFuge**  
Extreme Filtration

# Oil Cleaning Centrifuges

## MODEL 600

Removes Particles as small as 1/10th micron  
No Filter Elements to buy, change and dispose of

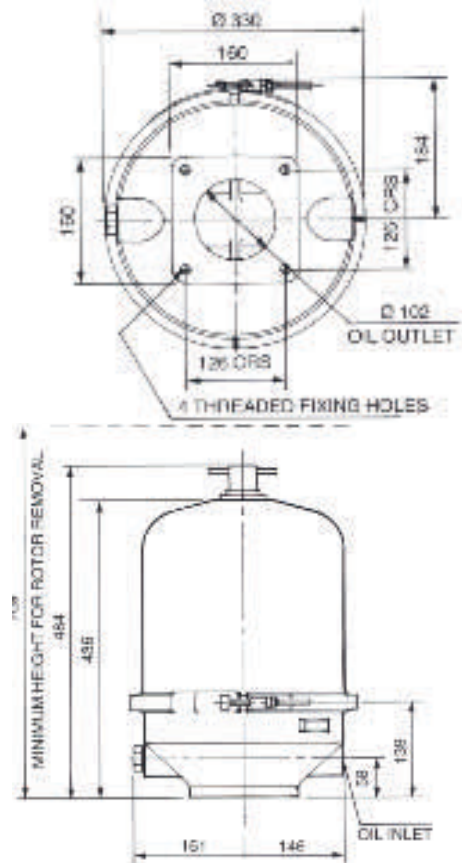
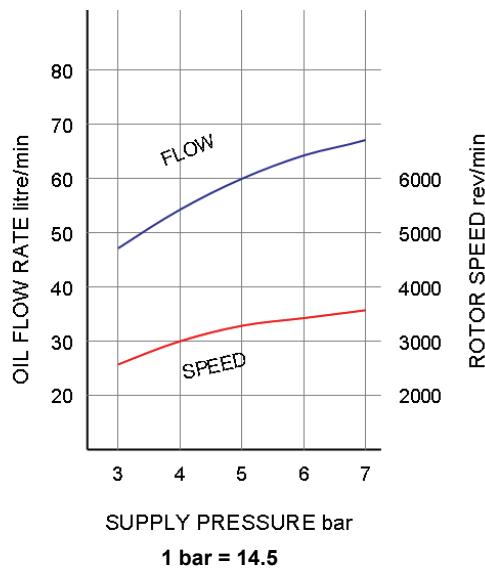
Engine lubrication capacity; 50 - 400 usg (200-1500 ltrs)



Rotor dirt capacity 6 quarts  
Minimum oil feed pipe size 0.75" id (19 mm)  
Minimum oil drain pipe size 3.0" id (76 mm)  
Net weight 55 lbs (25 kg)  
Flow rate 16 usg/min @ 70 psi (60 ltrs/@ 4 bar)  
Cut Out Valve (COV) installed - oil pressure to exceed COV setting to operate.

### PERFORMANCE CURVES

Typical rotor performance for SAE 30 OIL @ 75°C



**Industrial Diesel Products Inc. - Toronto, ON, Canada**  
Tel: 905-362-0423 · sales@dieselproducts.com Fax: 905-362-5015